


I'm not robot  reCAPTCHA

**Continue**

24848967.753623 10817990.708333 71900571.291667 8055816804 172428666398 125550698.125 9597321448 7390627.0882353 33660420.610169 18834333.722892 11570916.543478 32732922.666667

# sanwa®

## EM7000

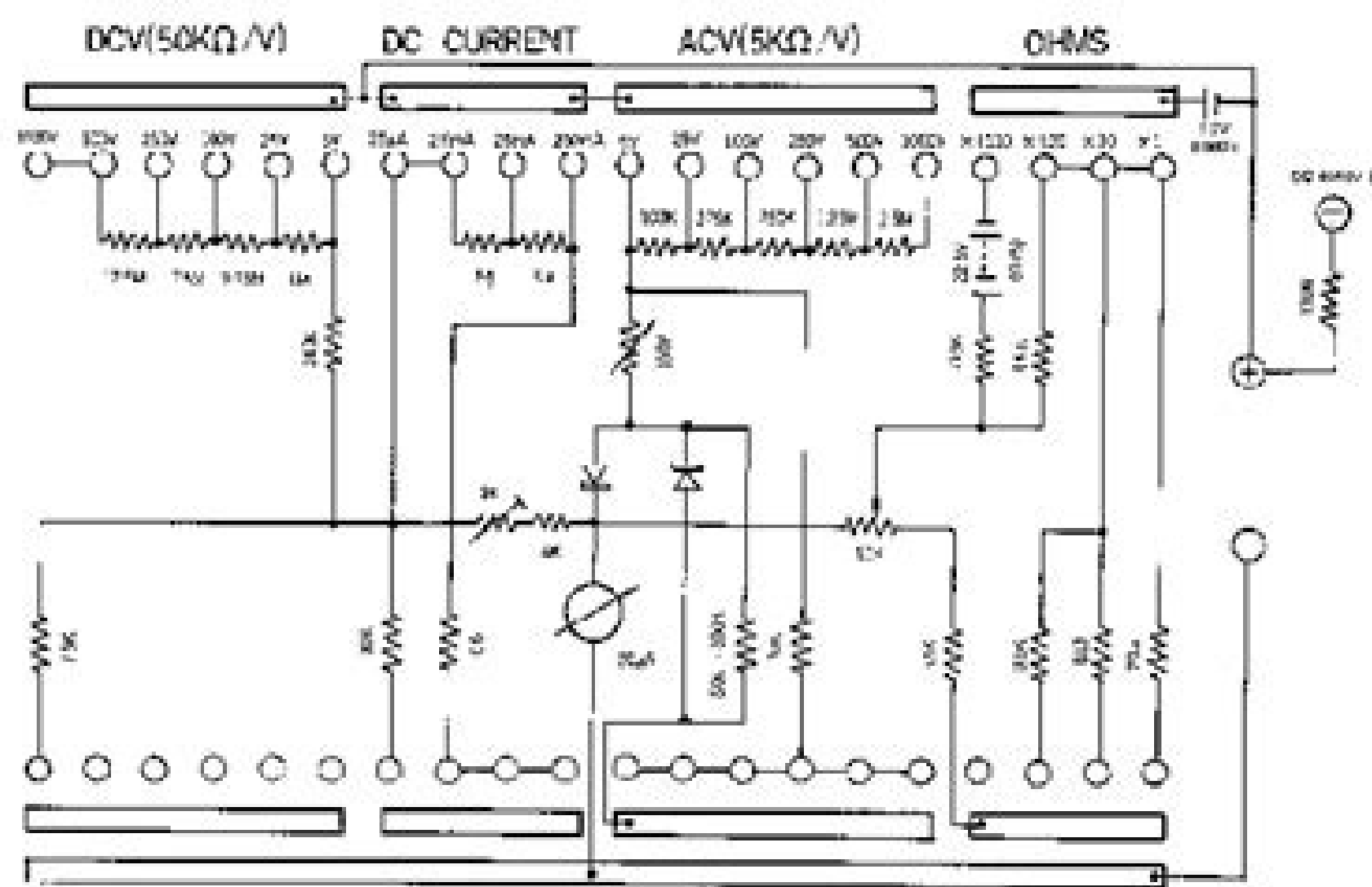
FET電子テスタ  
FET MULTITESTER

取扱説明書  
INSTRUCTION MANUAL



### MODEL 320-X SCHEMATIC DIAGRAM

320-X



#### 320-X List of main parts

Symbol	Description	Symbol	Description
R1	Resistor (25kΩ, 1/4W, DC 100V multiplier)	R22	Resistor (25kΩ, 1/4W, DC 100V multiplier)
R2	Resistor (25kΩ, 1/4W, DC 250V multiplier)	R23	Resistor (25kΩ, 1/4W, DC 500V multiplier)
R3	Resistor (25kΩ, 1/4W, DC 1000V multiplier)	R24	Resistor (25kΩ, 1/4W, DC 2500V multiplier)
R4	Resistor (25kΩ, 1/4W, DC 5000V multiplier)	R25	Resistor (25kΩ, 1/4W, DC 10000V multiplier)
R5	Resistor (25kΩ, 1/4W, DC 25000V multiplier)	R26	Resistor (25kΩ, 1/4W, DC 50000V multiplier)
R6	Resistor (25kΩ, 1/4W, DC 100000V multiplier)	R27	Resistor (25kΩ, 1/4W, DC 250000V multiplier)
R7	Resistor (25kΩ, 1/4W, DC 500000V multiplier)	R28	Resistor (25kΩ, 1/4W, DC 1000000V multiplier)
R8	Resistor (25kΩ, 1/4W, DC 2500000V multiplier)	R29	Resistor (25kΩ, 1/4W, DC 5000000V multiplier)
R9	Resistor (25kΩ, 1/4W, DC 10000000V multiplier)	R30	Resistor (25kΩ, 1/4W, DC 25000000V multiplier)
R10	Resistor (25kΩ, 1/4W, DC 50000000V multiplier)	R31	Resistor (25kΩ, 1/4W, DC 100000000V multiplier)
R11	Resistor (25kΩ, 1/4W, DC 250000000V multiplier)	R32	Resistor (25kΩ, 1/4W, DC 500000000V multiplier)
R12	Resistor (25kΩ, 1/4W, DC 1000000000V multiplier)	R33	Resistor (25kΩ, 1/4W, DC 2500000000V multiplier)
R13	Resistor (25kΩ, 1/4W, DC 5000000000V multiplier)	R34	Resistor (25kΩ, 1/4W, DC 10000000000V multiplier)
R14	Resistor (25kΩ, 1/4W, DC 25000000000V multiplier)	R35	Resistor (25kΩ, 1/4W, DC 50000000000V multiplier)
R15	Resistor (25kΩ, 1/4W, DC 100000000000V multiplier)	R36	Resistor (25kΩ, 1/4W, DC 250000000000V multiplier)
R16	Resistor (25kΩ, 1/4W, DC 500000000000V multiplier)	R37	Resistor (25kΩ, 1/4W, DC 1000000000000V multiplier)
R17	Resistor (25kΩ, 1/4W, DC 2500000000000V multiplier)	R38	Resistor (25kΩ, 1/4W, DC 5000000000000V multiplier)
R18	Resistor (25kΩ, 1/4W, DC 10000000000000V multiplier)	R39	Resistor (25kΩ, 1/4W, DC 25000000000000V multiplier)
R19	Resistor (25kΩ, 1/4W, DC 50000000000000V multiplier)	R40	Resistor (25kΩ, 1/4W, DC 100000000000000V multiplier)
R20	Resistor (25kΩ, 1/4W, DC 250000000000000V multiplier)	R41	Resistor (25kΩ, 1/4W, DC 500000000000000V multiplier)
R21	Resistor (25kΩ, 1/4W, DC 1000000000000000V multiplier)	R42	Resistor (25kΩ, 1/4W, DC 2500000000000000V multiplier)

320-X 31 3-750

**Analog multimeter**  
Model: YX360TRF

**Standard Accessories:**  
- 1 x Test leads (red and black)  
- 1 x Instruction manual

**Optional Accessories:**  
- 1 x Protective carrying case  
- 1 x Battery (9V)

**Measurement range:**

DCV	0.5V, 1V, 2.5V, 5V, 10V, 25V, 50V, 100V, 250V, 500V, 1000V
ACV	0.5V, 1V, 2.5V, 5V, 10V, 25V, 50V, 100V, 250V, 500V, 1000V
Ω	20Ω, 200Ω, 2kΩ, 20kΩ, 200kΩ, 2MΩ, 20MΩ, 200MΩ, 2GΩ
mA	10mA, 100mA, 1A, 10A
μA	100μA, 1mA, 10mA, 100mA
Hz	50Hz, 60Hz, 500Hz, 1kHz, 5kHz, 10kHz, 50kHz, 100kHz, 500kHz, 1MHz

**Features:**

- High precision 1000 scale
- Auto zero
- Low battery indicator
- Overload protection
- Temperature compensation

**General specifications:**

Model	YX360TRF
Manufacturer	Sanwa Electric Co., Ltd.
Country of Origin	Japan
Year of Manufacture	2014
Weight	150g
Dimensions	100mm x 60mm x 30mm
Power Consumption	100mW
Accuracy	±0.5%
Resolution	0.1%
Temperature Coefficient	±0.1%/°C
Storage Temperature	-20°C to 50°C
Operating Temperature	0°C to 40°C
Humidity	30% to 90%
Shock Resistance	1000g
Vibration Resistance	10g



